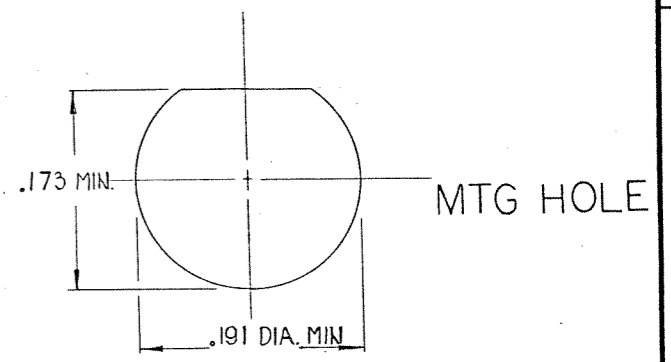
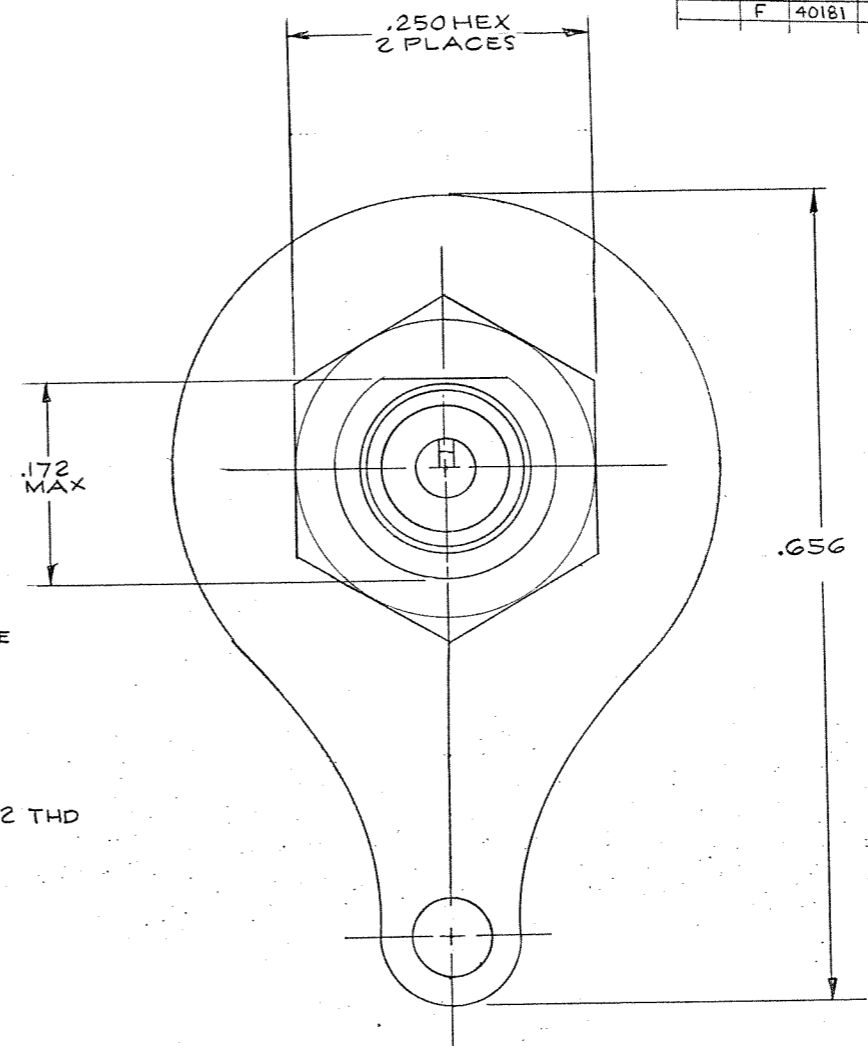
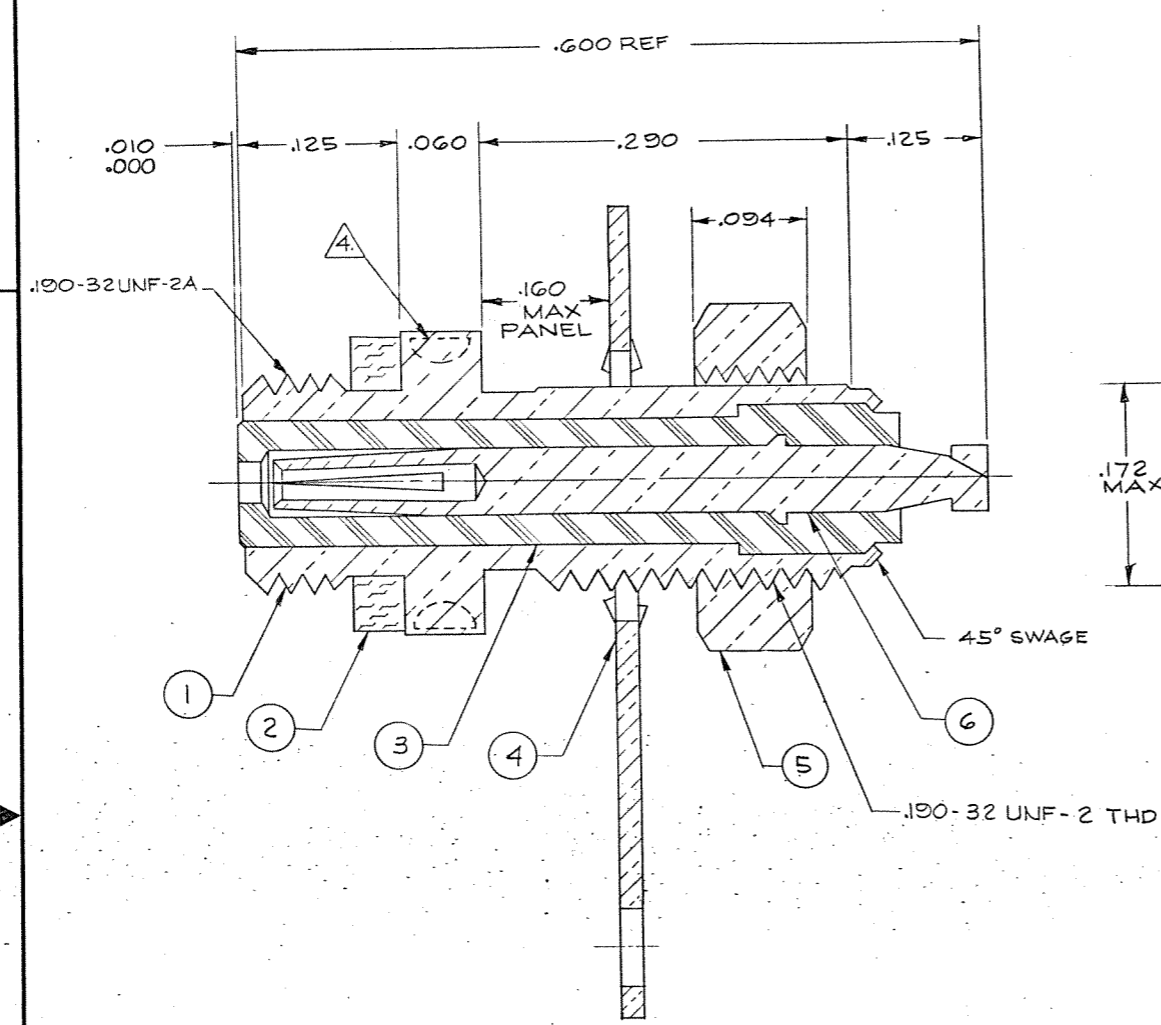


REVISIONS					
ZONE	LTR	ECO	DESCRIPTION	DATE	APPROVED
C	22863		REDRAWN, UP-DATED & CORRECTED ¹²⁻⁶⁷⁷ _{9.3}	12/22/77	(U)
D	28902		ITEM #4 MAT'L. WAS: PHOSPHOR BRONZE QQ-B-750	8/13/89	h/f
E	36837		ITEM 2, WAS 003-0011-0001	3-31-97	ds
F	40181		UPDATE REV. LETTER.	5/1/03	ds



Tyco Dwg 1466301
Micro P/N 05103180001

- NOTES: UNLESS OTHERWISE SPECIFIED
- THIS CONNECTOR MATES WITH ALL 50 SERIES SCREW TYPE PLUGS AS LISTED IN MICRODOT CATALOG.
 - SILVER PLATE .0002 MIN PER QQ-S-365 TYPE II, GRADE A.
 - GOLD PLATE PER MIL-G-45204 TYPE II, GRADEC, CLASS I.
 - .016 DIA. SAFETY WIRE HOLES (3 PLACES)

QTY REQD	CODE IDENT	PART OR IDENTIFYING NO.	NOMENCLATURE OR DESCRIPTION	MATERIAL & SPECIFICATION	ITEM NO.
1		003-1315-0002	SOCKET CONTACT	BERYLLIUM COPPER, QQ-C-530	6
1		003-0009-0001	HEX NUT	BRASS PER QQ-B-626	5
1		003-0306-0001	SHAKEPROOF LUG	425 BRONZE ALLOY	4
1		003-1316-0001	INSULATOR	TEFLON PER L-P-403	3
1		003-0268-0000	GASKET	SILICONE RUBBER, ZZ-R-765	2
1		000-1601-0295	HOUSING	BRASS PER QQ-B-626	1

PARTS LIST		CONTRACT NO.		MALCO A MICRODOT COMPANY, INC. 220 PASADENA AVE., SO. PASADENA, CALIF. 91030	
UNLESS OTHERWISE SPECIFIED DIMENSIONS ARE IN INCHES TOLERANCES ARE: FRACTIONS DECIMALS ANGLES ± .XX ± .XXX ± .010 ± 2°		APPROVALS		DATE	
MATERIAL		DRAWN <i>for signature</i>		9.30.77	
NOTED		CHECKED (U)		12/21/77	
		PR. ENG. (U)		12/21/77	
		APPD.			
FINISH		These drawings and specifications are the property of Microdot Inc., are issued in strict confidence and shall not be divulged, be reproduced or copied, or used as the basis for the manufacture or sale of any article without written permission of Microdot Inc.		SIZE	
NOTED				C	
NEXT ASSY		APPLICATION		CODE IDENT NO.	
USED ON		DO NOT SCALE DRAWING		98278	
APPLICATION				DRAWING NO.	
				051-0318-0001	
				SCALE 10 / 1	
				SHEET / OF /	

D
C
B
A